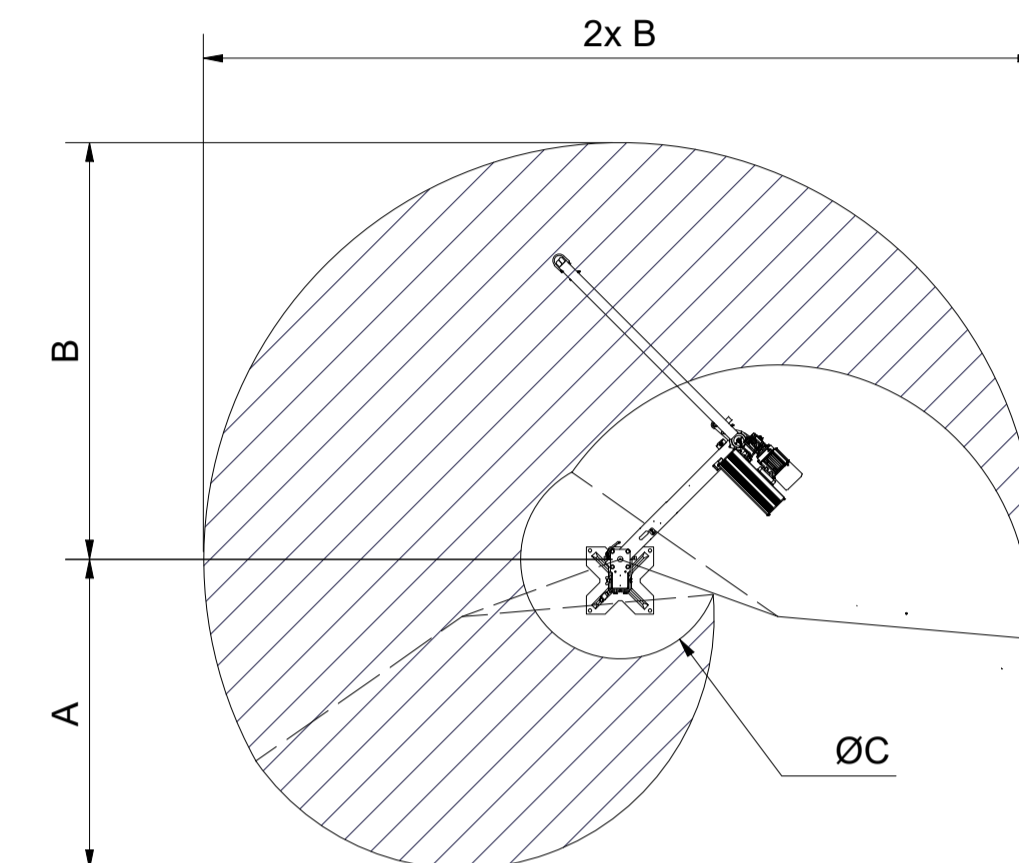
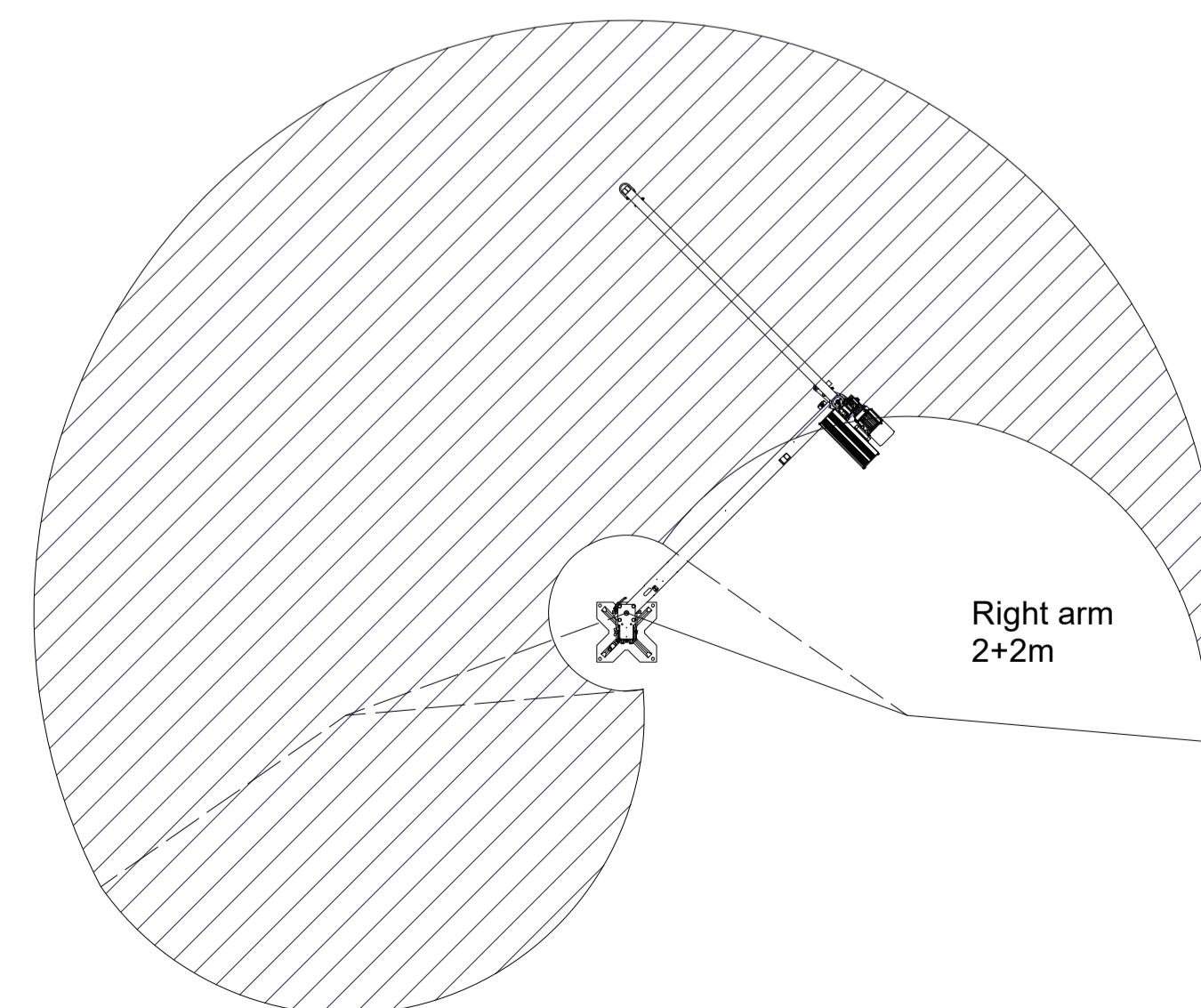
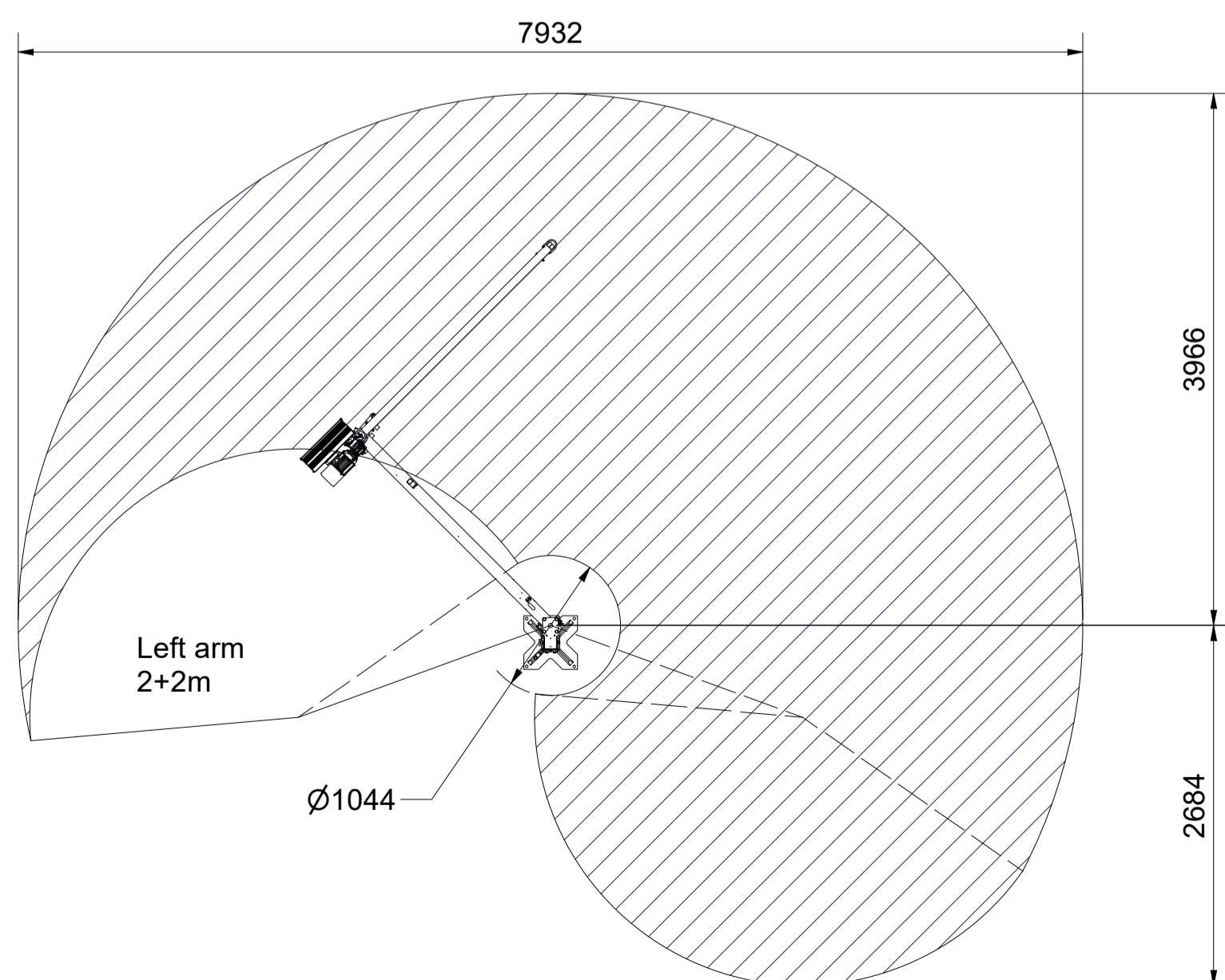
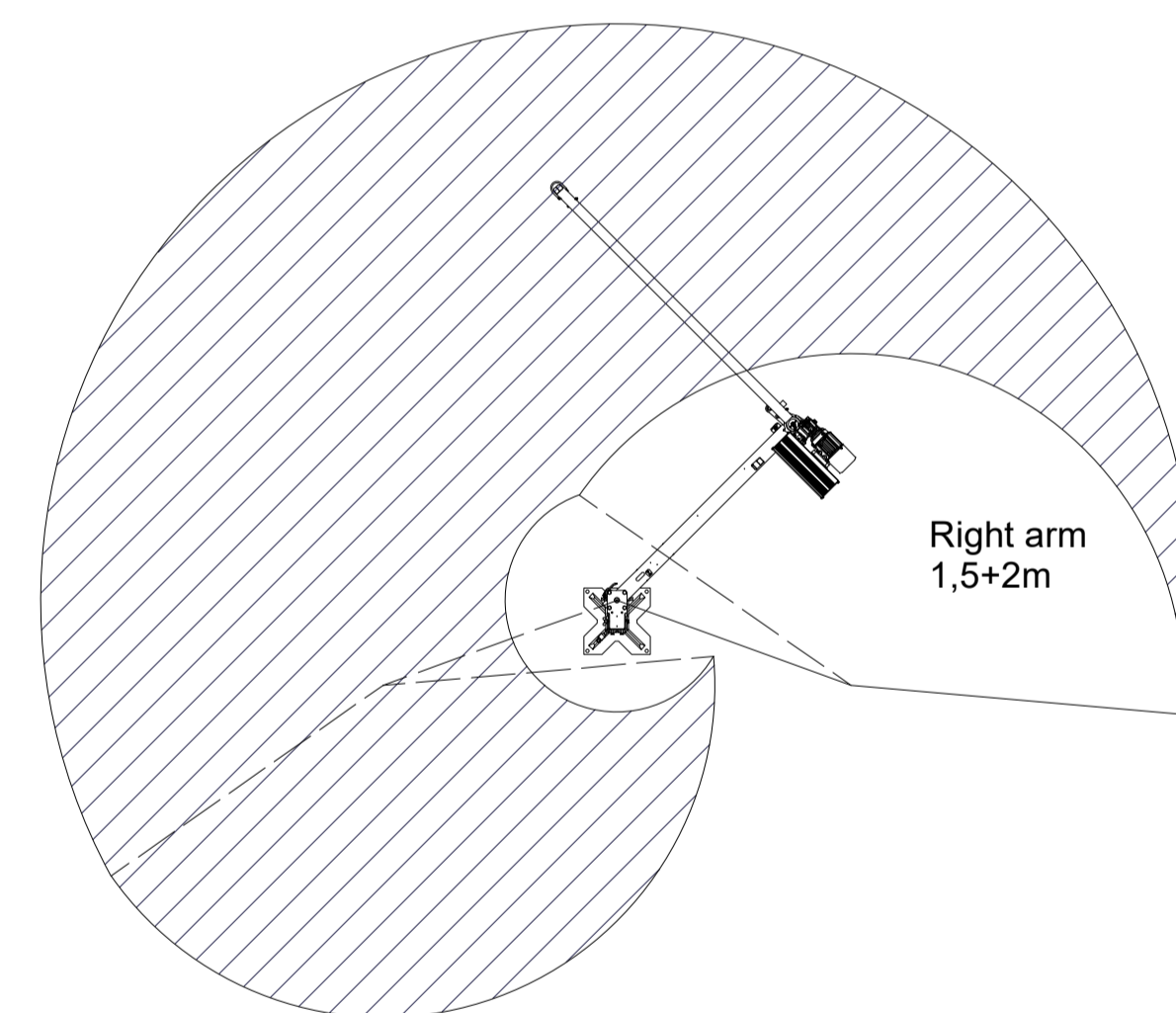
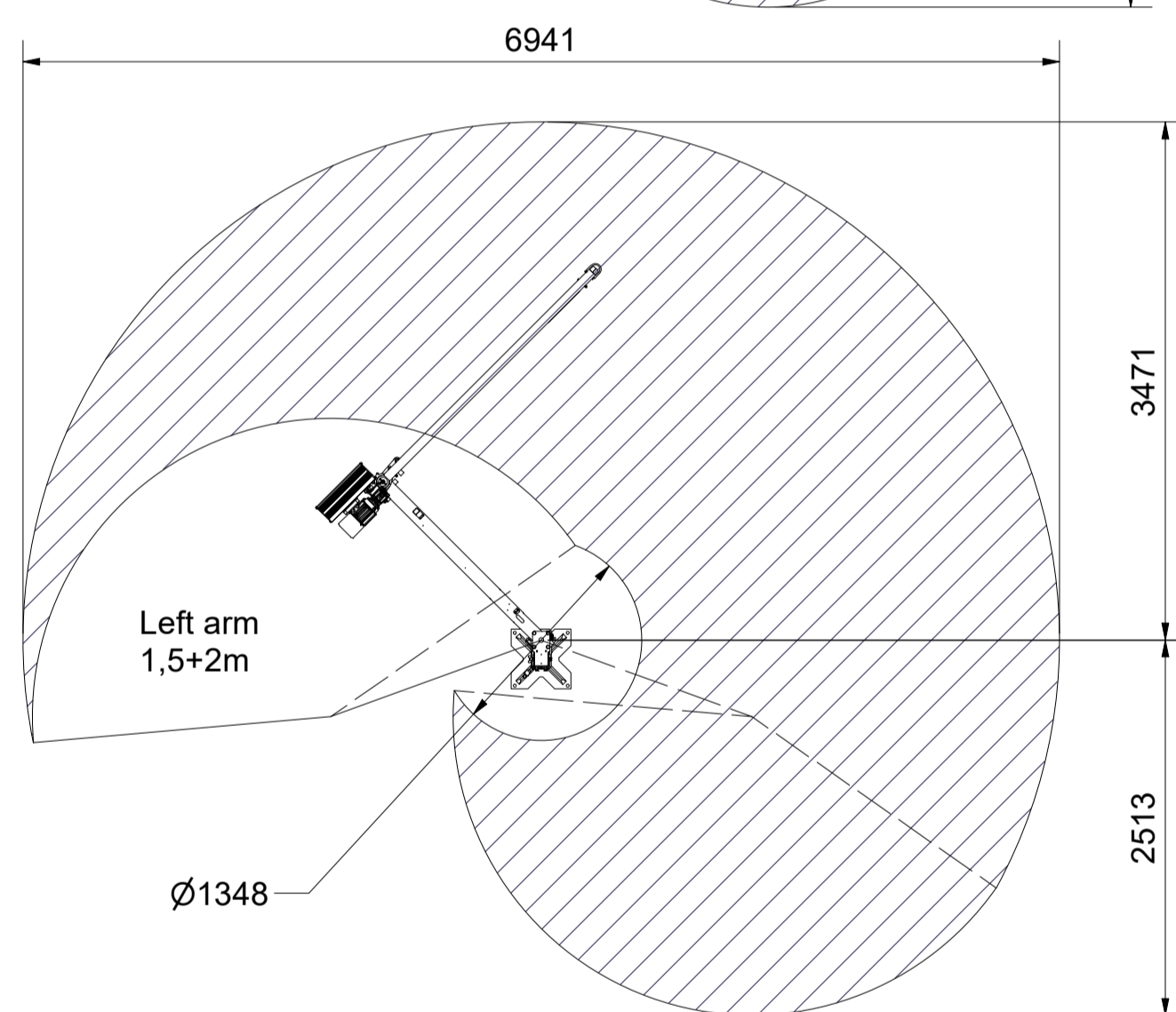
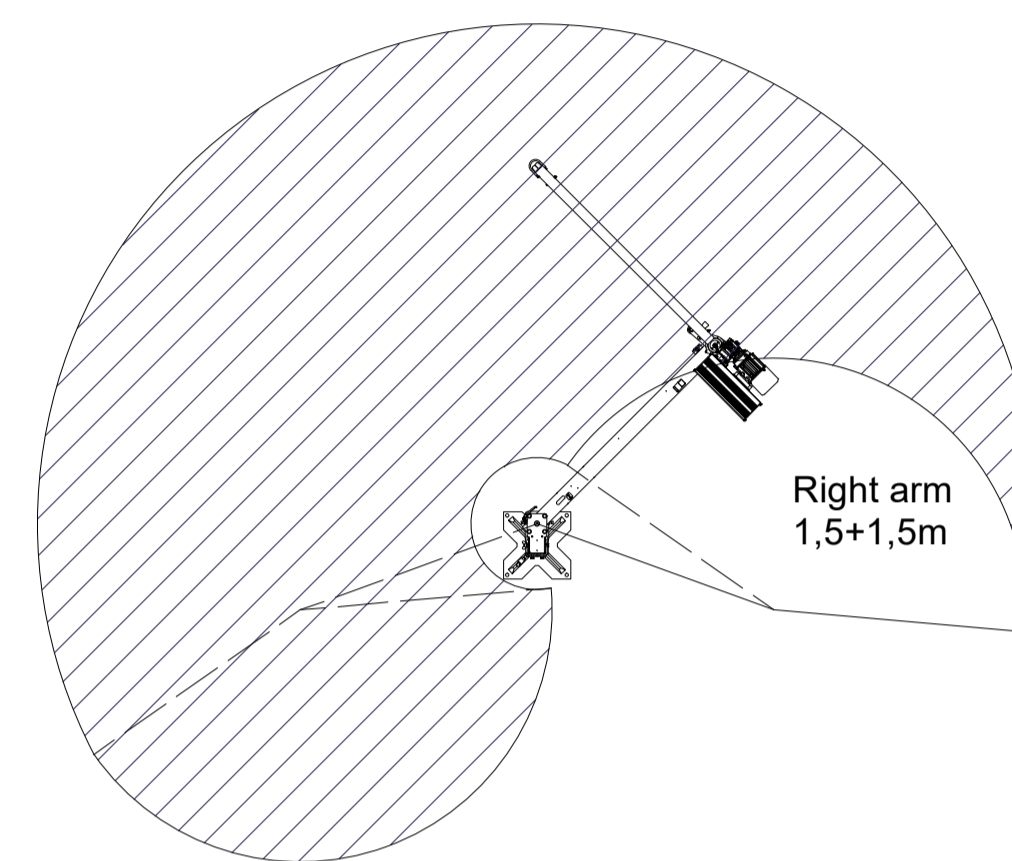
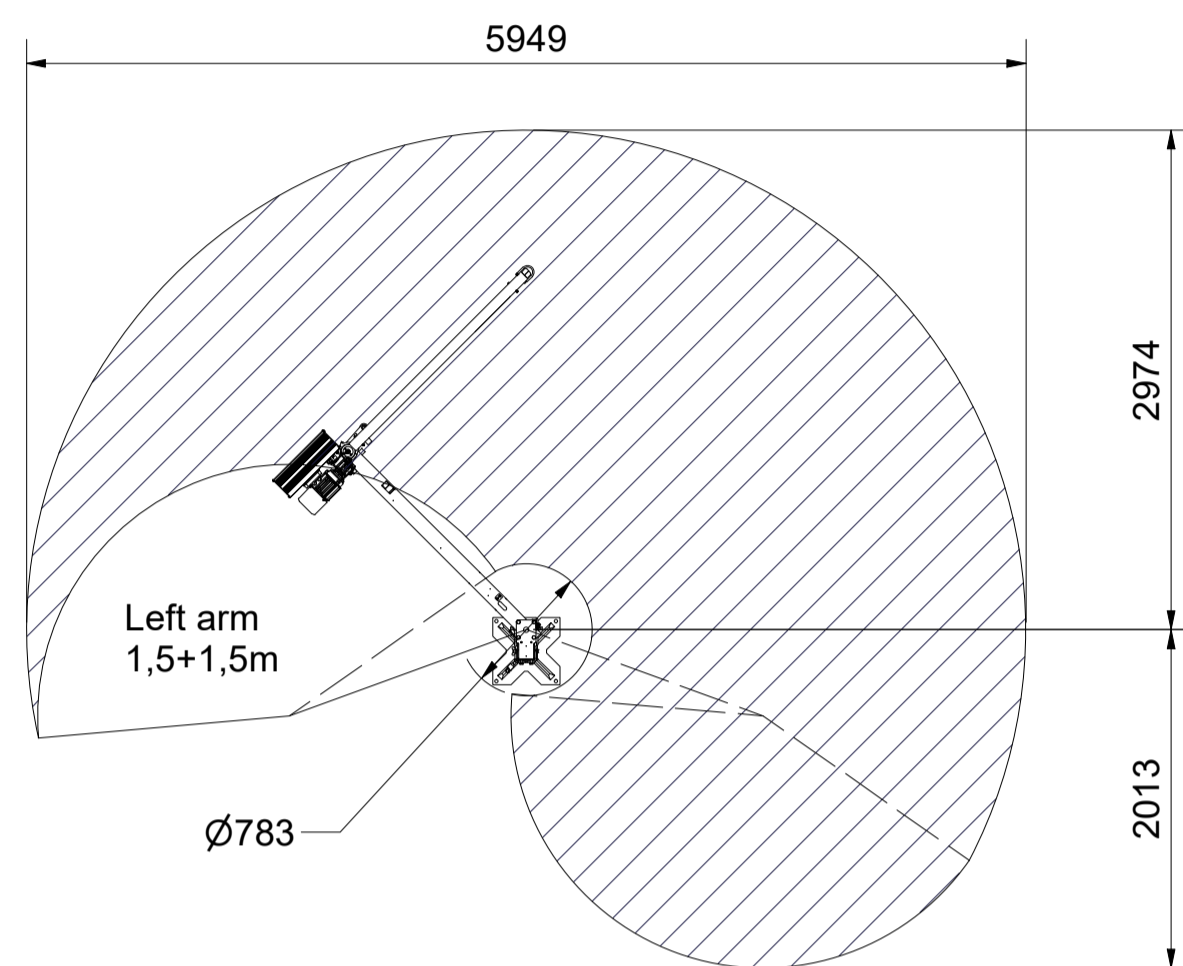
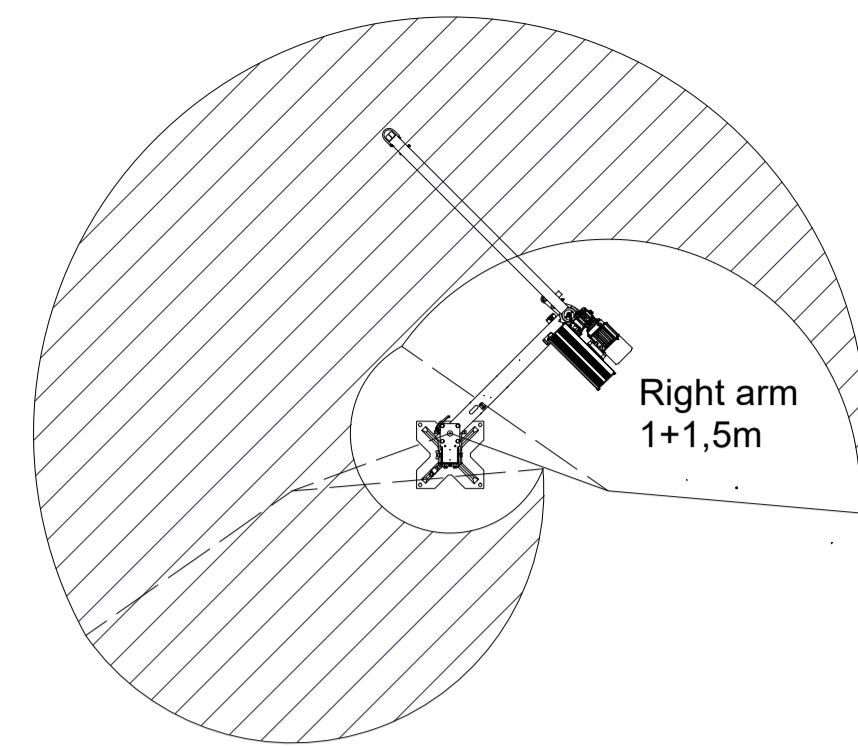
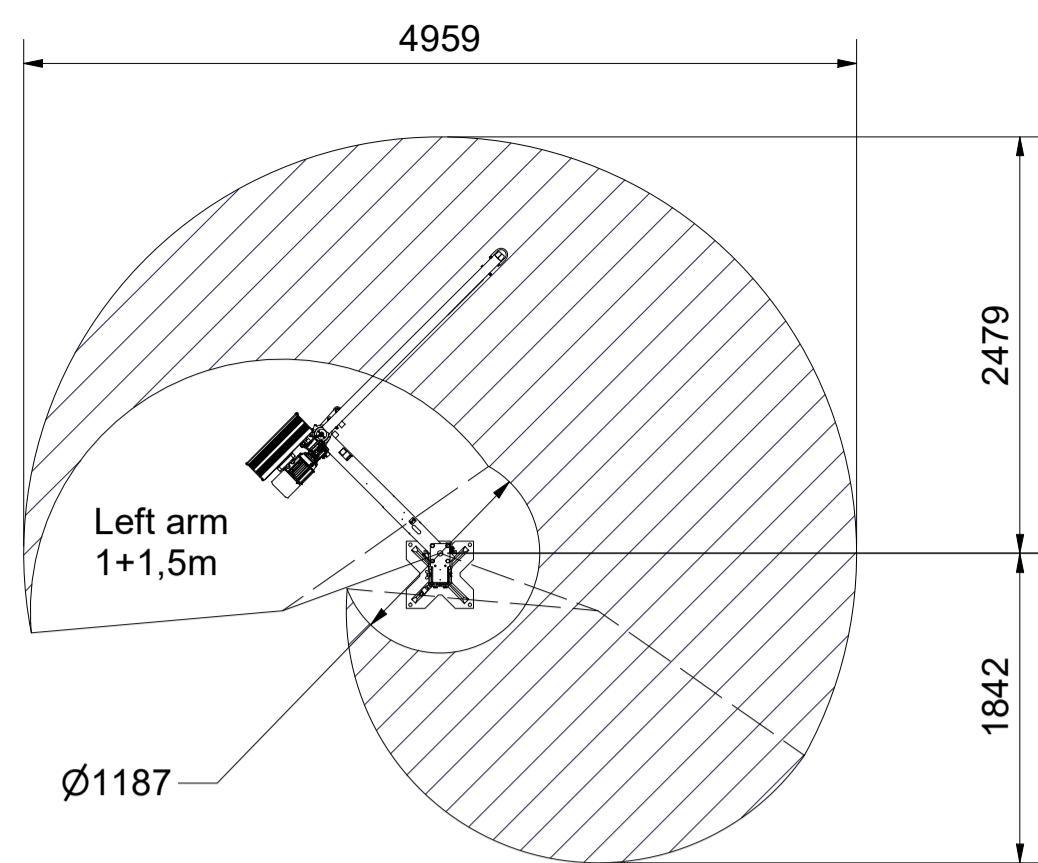


Standard Tolerance ISO 2768-m SMS 723-A		Surface treatment		Material	
Surface		Date	Name	Working range	
Scale	Quantity	Drawn	2022-02-18	BOL	
1 : 45		Designed		BOL	MobiChain
		Checked			
The design according to this drawing is the property of Movomech AB, and must not be disclosed to any third party, copied, reproduced or used in any manner without the written consent of Movomech AB. Contravention will be prosecuted.		Dwg no.		Rev.	Page
		PU19-087_Arbeitsområde 00		1	1
					A1



Standard Tolerance ISO 2768-m SMS 723-A		Surface treatment		Material	
Surface		Date	Name	Working range	
Scale	Quantity	Drawn	Designed	MobiChain	
1 : 45		2022-02-18	BOL		
		Checked	BOL		
The design according to this drawing is the property of Movomech AB, and must not be disclosed to any third party, copied, reproduced or used in any manner without the written consent of Movomech AB. Contravention will be prosecuted.		Dwg no.		Rev.	Page
		PU19-087_Arbeitsområde 00		2	2
				Rev	Page
				A1	A1