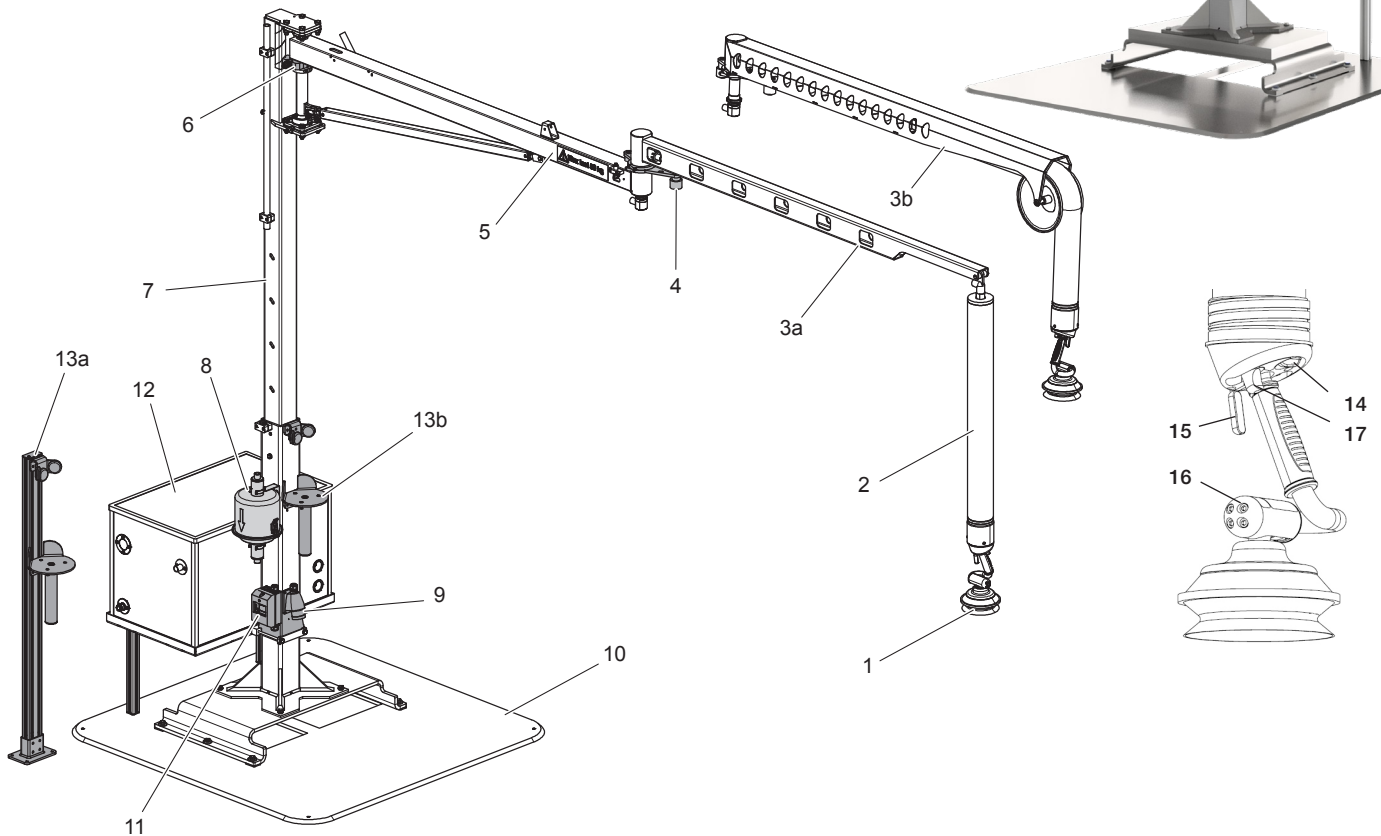


# EASYCRANE™

DATA SHEET / DATABLAD / DATENBLATT / FICHE TECHNIQUE



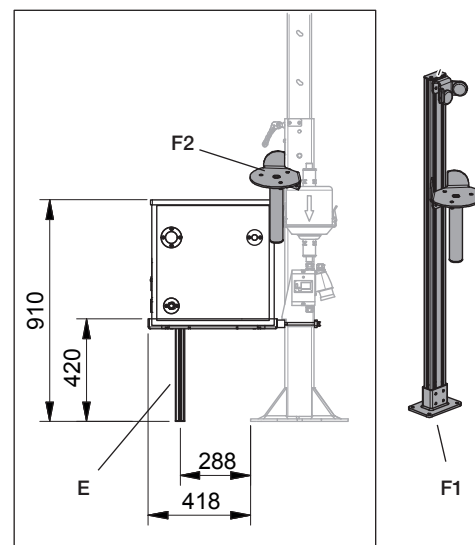
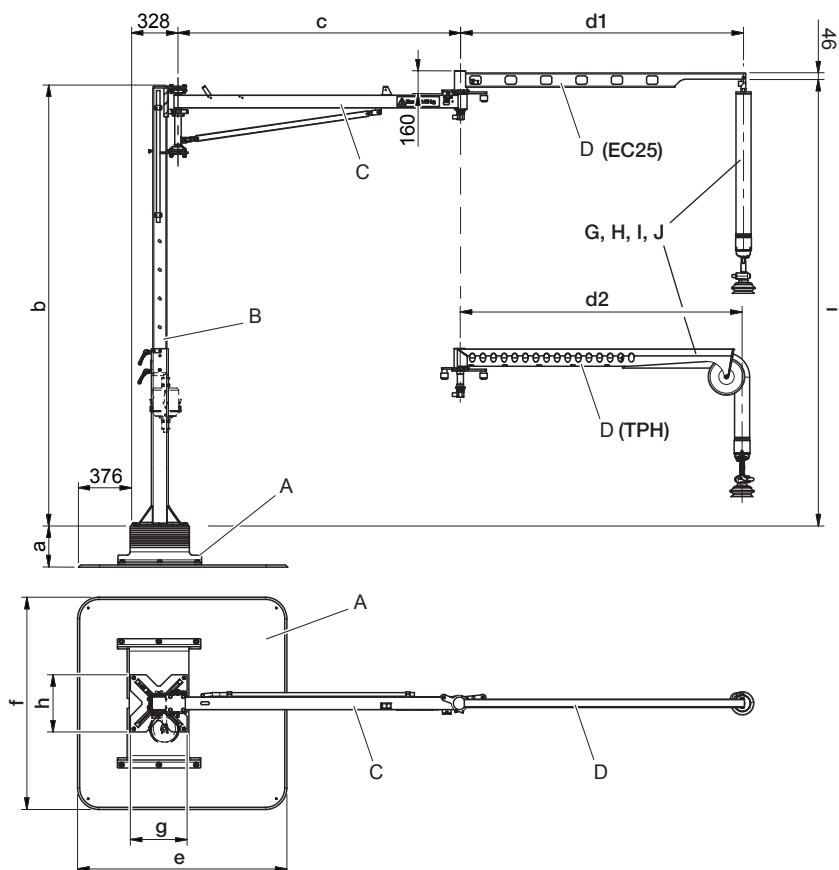
- |                                                          |                                                                      |
|----------------------------------------------------------|----------------------------------------------------------------------|
| 1. Vacuum cup Sugkopp / Saugfuß / Ventouse               | 10. Mobile footplate Fußplatte                                       |
| 2. Lifting hose Lyftslang / Hubschlauch / Tube de levage | 11. Vacuum pump switch Schalter / Interrupteur                       |
| 3. a. Jib Arm / Bras EC25                                | 12. Vacuum pump                                                      |
| b. Jib Arm / Bras TPH                                    | 13. Parking in running-mode i drift / in Betrieb / en opération      |
| 4. Rotation limiter Rotationsbegränsare                  | a. Floor model auf Boden / på golv / au sol                          |
| 5. Inner jib Inre arm / Bras intérieur                   | b. Mast-mount model auf Säule / på pelare / au fût                   |
| 6. Inner brake Broms / Bremse / Frein inférieur          | 14. Balance control Balansreglage                                    |
| 7. Mast Säule / Fût                                      | 15. Control lever Styrspak / Steuerhebel / Levier de commande        |
| 8. Filter                                                | 16. Joint 90° Vinkel                                                 |
| 9. Electrical connector (400 V, 16 A)                    | 17. Release button Släppknapp / Freigabeknopf / Bouton de libération |

## TECHNICAL DATA

TEKNISKA DATA / TECHNISCHE DATEN / DONNÉES TECHNIQUES

Maximum load crane Max. Last Kran / Charge maximale potence	50 kg
Maximum load vacuum lifter Max. Last Vakuümheber / Vakuümyftare / Charge maxi. manipulateur sous vide	5 - 45 kg <sup>1</sup>
Work temperature Arbetstemp. / Betriebstemp. / Temp. de régime	5 - 40 °C

<sup>1</sup> Depends on combination / beror av kombination: material + suction cup / sugkopp / Saugfuß / ventouse



	Configuration mast		a	b	c	d1/d2	e	f	g	h	i	c + d	Weight [kg]		Shims
A	A0	272 kg	743509	136								≤ 2500	272		
	A3	382 kg	742425	181			1480	1480				3000	382		
	A6	491 kg	743252	226								3500	491		
	A10	637 kg	743562	286								4000	637		
B	B		743440		1768 - 2728 <sup>1</sup>						1829 - 2789 <sup>1</sup>		83 <sup>2</sup>		743506 <sup>4</sup>
	B +500		743441		2268 - 3228 <sup>1</sup>				400	400	2329 - 3289 <sup>1</sup>		90 <sup>2</sup>		
C	C1		743443			1000							24		
	C1.5		743444			1500							32		
	C2		743445			2000							38		
D	D1	EC25	743446				1000						17 <sup>3</sup>		
	D1.5	EC25	743447				1500						20 <sup>3</sup>		
	D2	EC25	743448				2000						24 <sup>3</sup>		
	D1	TPH	743449				1000						16 <sup>3</sup>		
	D1.5	TPH	743450				1500						20 <sup>3</sup>		
	D2	TPH	743451				2000						23 <sup>3</sup>		
E	E1		743442												
F	F1		6130053												
	F2		743425												

↑ Dimensions in [mm]

<sup>1</sup> Adjustable height / justerbar höjd / einstellbare Höhe / hauteur adjustable; position + 100 mm + 200 mm + ... etc.

<sup>2</sup> Excl. pump + hood

<sup>3</sup> Excl. vacuum hose / slang / Schaluch + suction cup / sugkopp / Saugfuß / ventouse

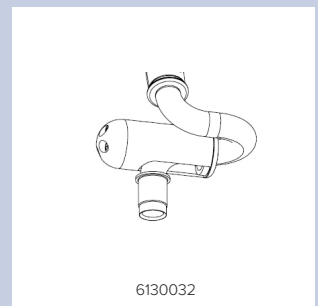
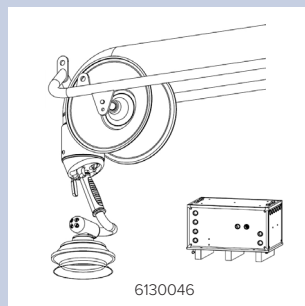
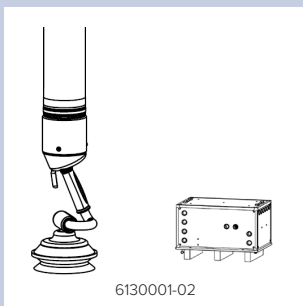
<sup>4</sup> Installation in floor / golv / auf Boden / au sol

	Vacuum lifter configuration		SWL
G	Easyhand T Ø100 2,5 m 802 + pump / hood	6130001	35 kg
	Easyhand T Ø100 2,5 m 902 + pump / hood	6130002	45 kg
	Easyhand TH Ø100 low 902 + pump / hood	6130046	45 kg
H	Electric connection type A 2.5-4A	743422	
	Electric connection type C 6-10A	743423	
I	3 phase / 50 Hz / 380-415 V	6110104	
J	Configuration: Ø 150	6130027	40 kg
	Configuration: Ø 150 Silicone	6130028	40 kg
	Configuration: Adapter / Adaptateur	6130032 *	

\* Combine with suction cup /  
Kombineras med sugkopp /  
Kombinieren Sie mit Saugfuß /  
À combiner avec ventouse



Dimensions (outer) [mm]		Suction cup	Application	SWL
150 x 210	6120076		Boxes, panels	45 kg
95 x 200 (200 x 200)	6120079		Boxes, panels	45 kg
95 x 200 (200 x 250)	6120080			
95 x 200 (200 x 370)	6120081		Boxes, panels	45 kg
95 x 200 (200 x 620)	6120082			
95 x 200 / L=500 (adjustable)	6120085		Boxes, panels	45 kg
Ø 150	6120088		Boxes etc	40 kg
4x Ø110 (280 x 370)	6120094		Uneven surfaces	45 kg
4x Ø110 (330 x 500)	6120095			
6x Ø75 (170 x 260)	6120098		Uneven surfaces	45 kg
125 x 245	6120102		Sacks, wrapped goods	45 kg
150 x 290	6120103			
Quick connector, upper Schnellkupplung, obere	6120109			
Quick connector, lower Schnellkupplung, untere	6120110			



Configuration / Konfiguration

	A	B	C	D	E	F
(	<input type="text"/>	<input type="text"/>	<input type="text"/>	<input type="text"/>	<input type="text"/>	<input type="text"/>
	) +	+	+	+	+	+
	Shims	G	H	I	J	Suction cup
+	(	<input type="text"/>	<input type="text"/>	<input type="text"/>	<input type="text"/>	<input type="text"/>
	) +	+	+	+	+	+



Option

<input type="text"/>	<input type="text"/>	<input type="text"/>	<input type="text"/>	<input type="text"/>	<input type="text"/>
----------------------	----------------------	----------------------	----------------------	----------------------	----------------------