

MechLift

Pneumatic

735373 Catalog 2006-01-01



Contents	Page
Basic models	4
Stroke	4
Pneumatic	6
Suspensions	8
Tool adapters	9
Control units	11
Optional products	13

Although the greatest care was taken regarding the information in this catalogue, we assume no responsibility for any errors. We reserve the right to make changes.

ILLUSTRATIONS – The illustrations in the catalogue represent the described products, but the delivered goods may differ in some respects from the illustrations.

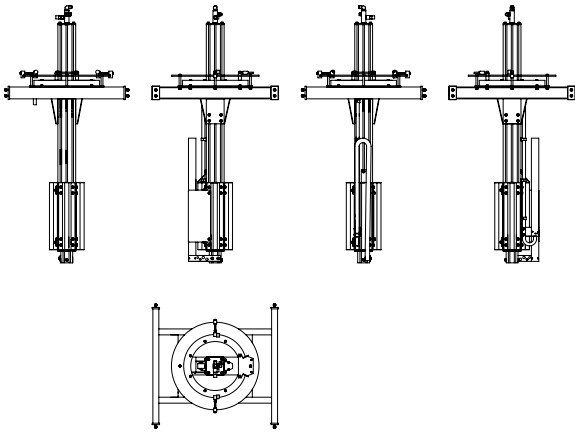
SPECIFICATIONS – The right is reserved to make changes in design and dimensions compared with the information in the catalogue in order not to prevent development of designs, material and manufacturing methods.

The customer is reminded that in the purchase of Movomech's products for application on the job or elsewhere, there is supplementary, current information that could not be included in the catalogue in terms of recommendations on each product's suitability regarding different combinations of Movomech's comprehensive product line.

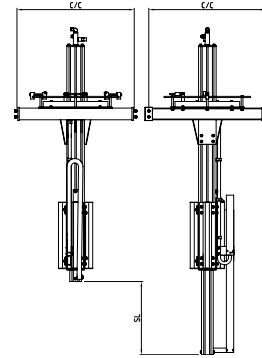
All relevant information must be provided to the persons who are responsible for the application of the product.

How to order...

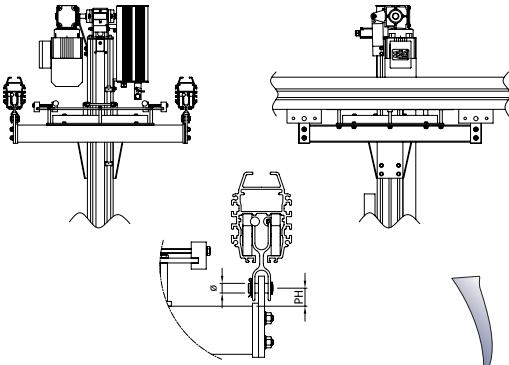
#1 Basic model



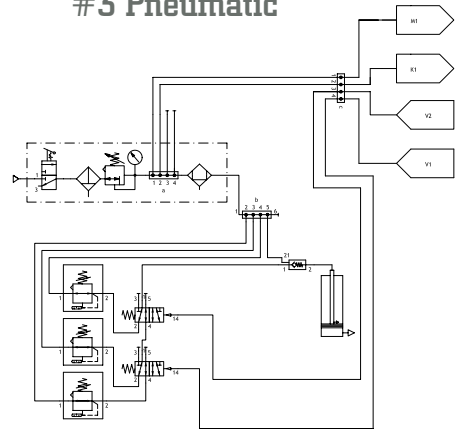
#2 Stroke



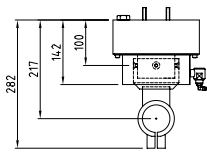
#4 Suspensions



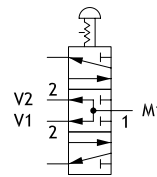
#3 Pneumatic



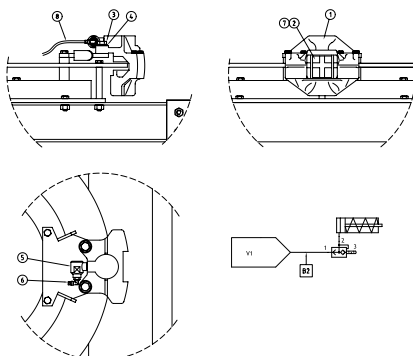
#5 Tool adapter



#6 Control unit



#7 Optional products



Technical data

Load capacity 100 kg	Maximum torque 500 Nm	Hoisting speed 0-40 m/min	Rotation 0-310° 0-360° (option)	Maximum tare weight 80 kg
Medium Air Non-lubricated	Working pressure 5,5-7 bar	Air consumption 600 l _v /min	Working temperature 5-40 °C	Noise level < 70 dB (A)
Hysteresis Contact Movomech	Pillar profile MP120-MP80C			

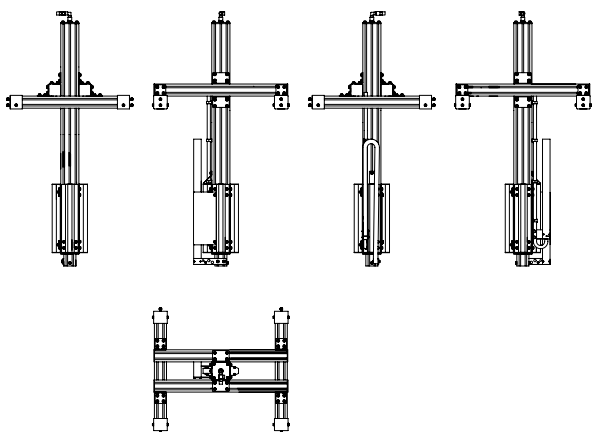
Basic model

C/C Cross	800			1000		
Type	Profile	Steel		Profile	Steel	
Bracket	-	Downwards	Upwards	-	Downwards	Upwards
	732949	733411	733413	732950	733412	733414

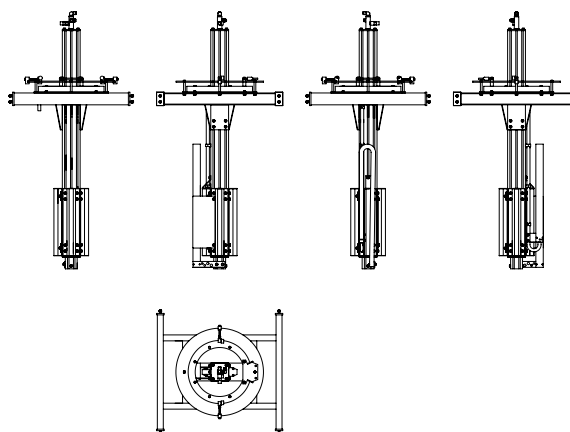
Stroke

SL	500	750	1000	1250	1500	>500 <1500
	732203	732204	732205	732206	732207	732208
L profile cross	1185	1435	1685	1935	2185	SL+685
L steel cross	1235	1485	1735	1985	2235	SL+735

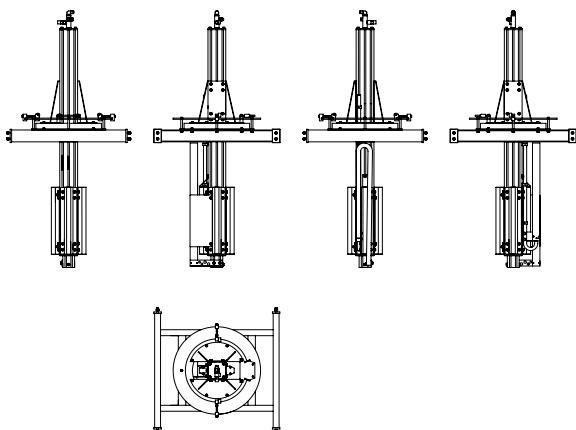
732949 / 732950



733411 / 733412



733413 / 733414



INFORMATION

Add:

- Pneumatic configuration page 6
- Suspensions page 8
- Tool adapter page 9
- Control unit 11
- Optional products 13

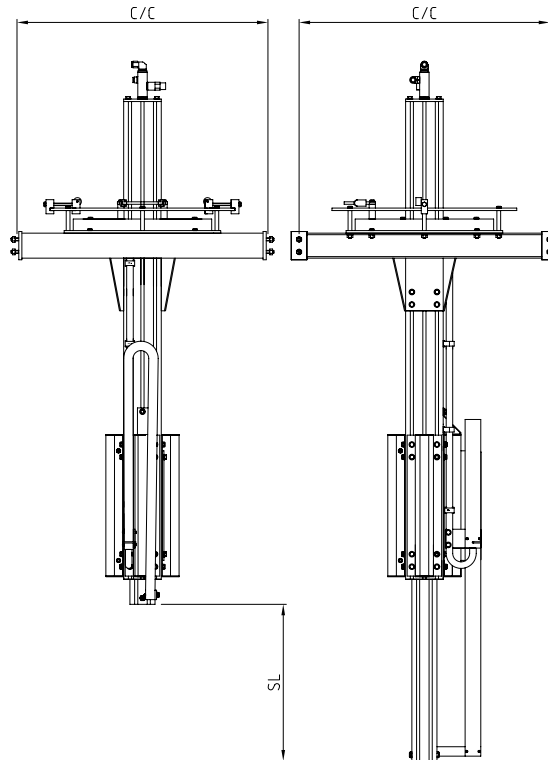
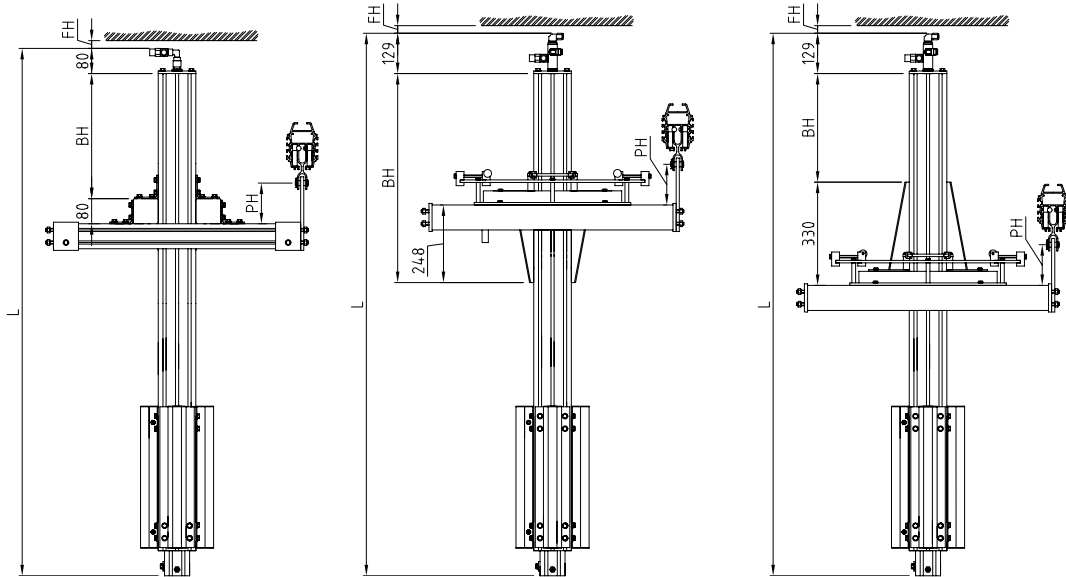
Overall dimensions

BH	Position of cross unit 732949 / 732950 733411 / 733412 733413 / 733414	75-400 365-555 0-145	75-650 365-805 0-270	75-900 365-970 0-395	75-1150 365-1095 0-520	75-1400 365-1220 0-645
C/C	Ventre distance, points of suspension	800/1000				
FH	Upper clearance	>50				
L	Construction length 732949 / 732950 730411 / 733412 / 733413 / 733414	1185 1235	1435 1485	1685 1735	1935 1985	2185 2235
SL	Stroke	500	750	1000	1250	1500
PH	Height of suspension	50-500				

732949 / 732950

733411 / 733412

733413 / 733414



3-weight

732983

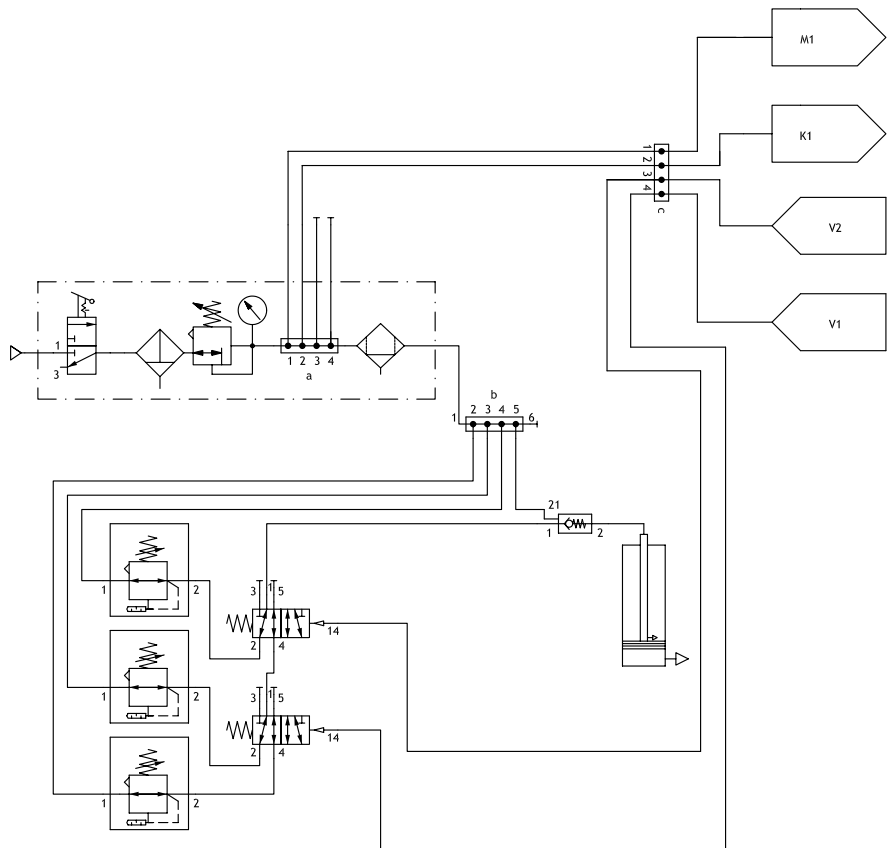
INFORMATION

0-100 kg
3 loads

K1 = connecting pneumatic tool
M1 = air supply control unit
V1 = signal from control unit
V2 = signal from control unit

Connections (available)

a: 3,4
b: 6



MechLift - 100 - PNEUMATIC

Pilot operated

732354

INFORMATION

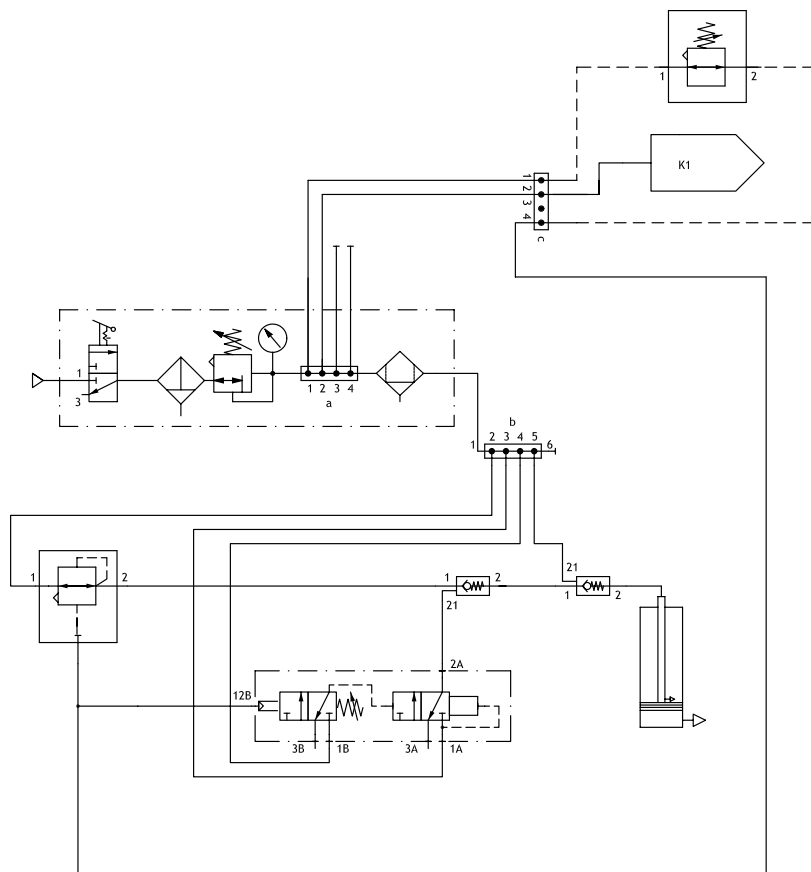
0-100 kg
Variable load

K1 = connecting pneumatic tool

Note load restrictions when operating
with parallelogram as control unit

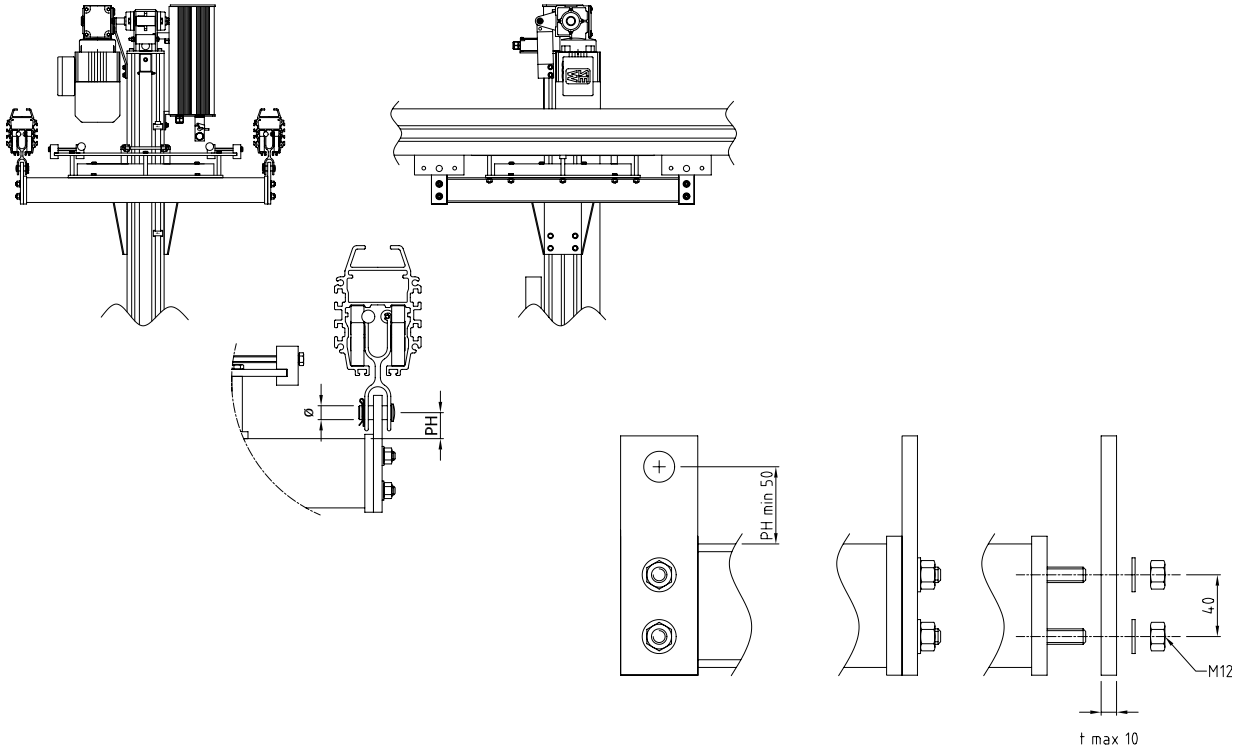
Connections (available)

a: 3,4
b: 6





PH	ø Mounting hole		
	12,5	16,5	20,5
50	733833	733835	733837
>50<500	733834	733836	733838



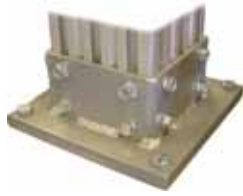
INFORMATION

ø Mounting hole:

12,5 = LHB

16,5 = AHB1-2

20,5 = AHB3



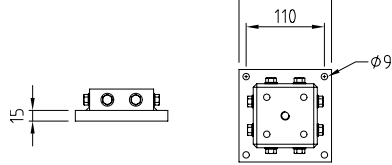
Mounting bracket

For profile:

MP80

731500

731500



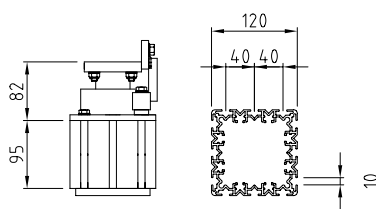
MP120

For profile:

MP80

731440

731440



Rotation unit, combined with..

For profile:

..muff coupling

..mounting bracket

..mounting pipe

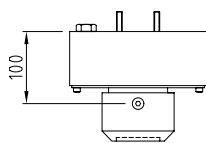
MP80

732228

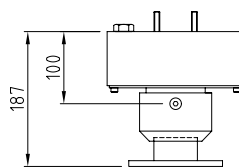
732229

732230

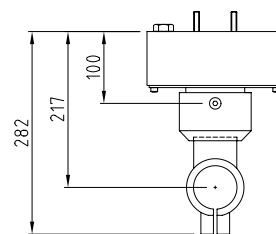
732228



732229



732230



Rotation unit with brake, combined with..

For profile:

..muff coupling

..mounting bracket

..mounting pipe

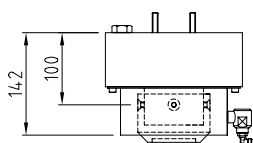
MP80

732225

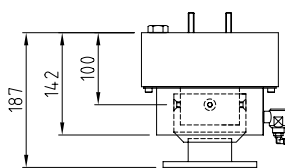
732226

732227

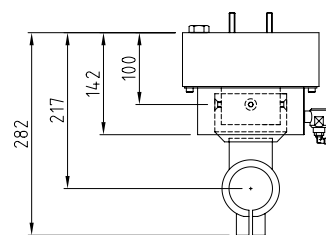
732225



732226



732227



INFORMATION

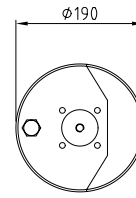
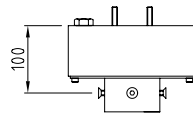
Braking force: 113 Nm at 0 rpm

Rotation unit

For profile:

MP80	731495
------	--------

731495

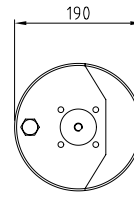
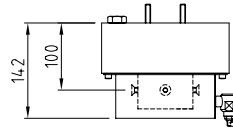


Rotation unit with brake

For profile:

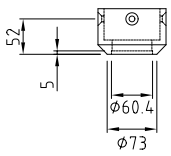
MP80	731496
------	--------

731496



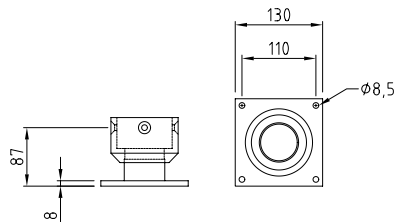
Muff coupling

731497



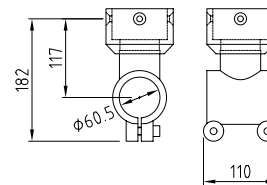
Mounting bracket

731548



Mounting pipe

734655



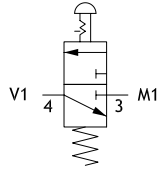
INFORMATION

Braking force: 113 Nm at 0 rpm

Selector switch

736347

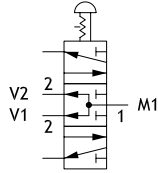
2 fixed positions
NC



Selector switch

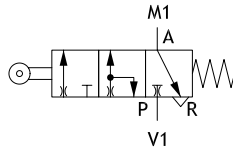
736348

3 fixed positions
NO



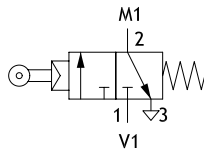
**Limit switch
with ball
actuator**

733593



**Roller lever
valve**

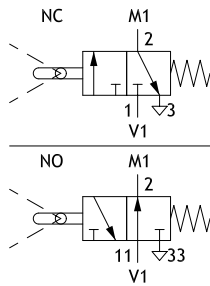
733594



**Swivel lever
valve**

733595

Combine with lever
below



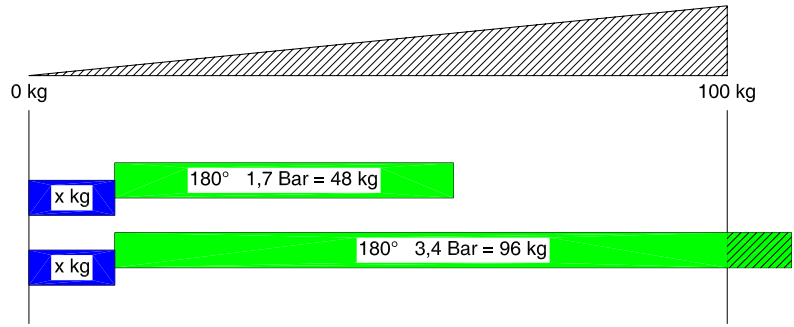
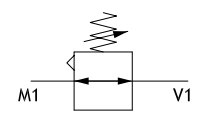
Lever

Type

A	Short swivel lever	733589
B	Long swivel lever	732943
C	Rod swivel lever	733512



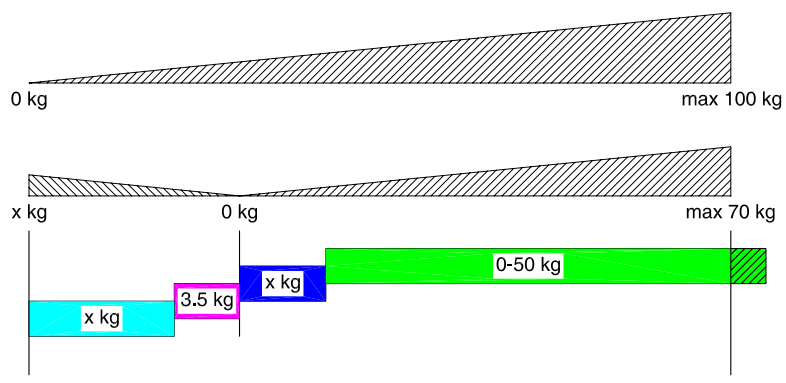
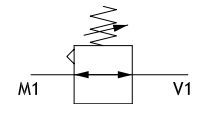
Throttle	
Bar	
1.7	731853
3.4	731854



- Tool
- Operating range
- Warning overload!
Mechanical restriction is mandatory.
- + ■ --> max 100 kg

Parallelogram
731387

Max. allowed load in parallelogram is 70 kg!
Operating range variable load: 50 kg (max. 40 kg recommended).



- Parallelogram
- ■ Tool
- Operating range
- Warning overload!
Restrict load.
- + ■ --> max 70 kg
- + ■ + ■ + ■ --> max 100 kg

INFORMATION

For further information, contact Movomech

Brake unit
Pneumatic

731505



INFORMATION

For MechLift with swivel ring on steel cross.
Components for operation is ordered separate, contact Movomech



Movomech AB

Box 9083
SE-291 09 Kristianstad
SWEDEN

Phone +46 (0)44 28 29 00
Fax +46 (0)44 28 29 28
E-mail info@movomech.com
Web www.movomech.com

Representatives

Sweden
Belgium
Denmark
Finland
France
Germany
Ireland
The Netherlands
Singapore
Spain
UK
USA