

MechCrane

LVS/AVS1-2 - LPS/APS1-2

735364 Catalog 2006-01-01



Contents	Page
LVS	4
AVS1	5
AVS2	6
LPS	7
APS1	8
APS2	9
Optional products	10

Although the greatest care was taken regarding the information in this catalogue, we assume no responsibility for any errors. We reserve the right to make changes.

ILLUSTRATIONS – The illustrations in the catalogue represent the described products, but the delivered goods may differ in some respects from the illustrations.

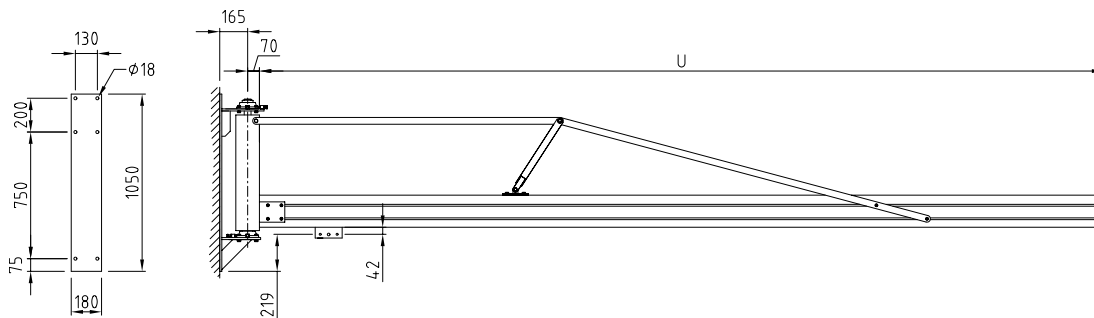
SPECIFICATIONS – The right is reserved to make changes in design and dimensions compared with the information in the catalogue in order not to prevent development of designs, material and manufacturing methods.

The customer is reminded that in the purchase of Movomech's products for application on the job or elsewhere, there is supplementary, current information that could not be included in the catalogue in terms of recommendations on each product's suitability regarding different combinations of Movomech's comprehensive product line.

All relevant information must be provided to the persons who are responsible for the application of the product.

How to order...

#1 Basic model

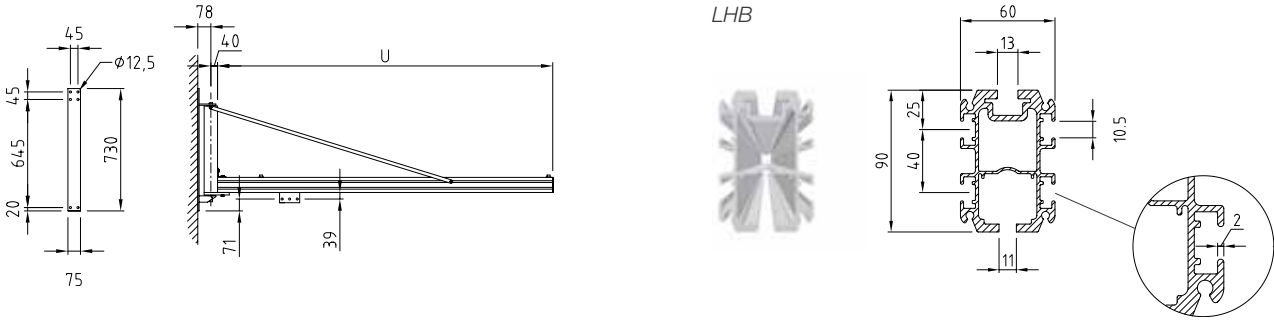


#2 Optional products



LVS 1500-4000 mm

Max load kg	80	80	80	80	80	50	1500-3500: 80 3500-4000: 50
Jib U mm	1500	2000	2500	3000	3500	4000	1500-4000
	735000	735001	735002	735003	735004	735005	735009



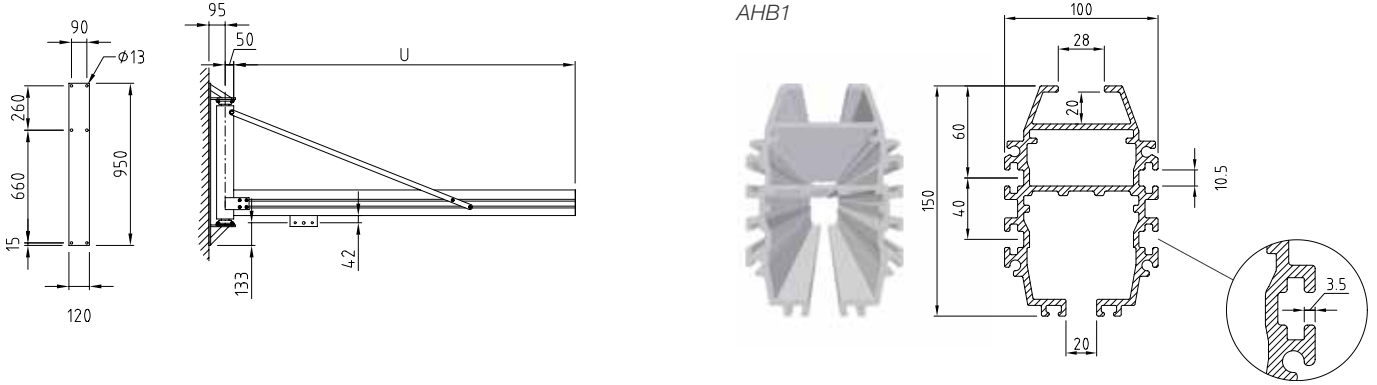
INFORMATION

Optional products page 10

AVS1 1500-4000 mm

Max load 150 kg

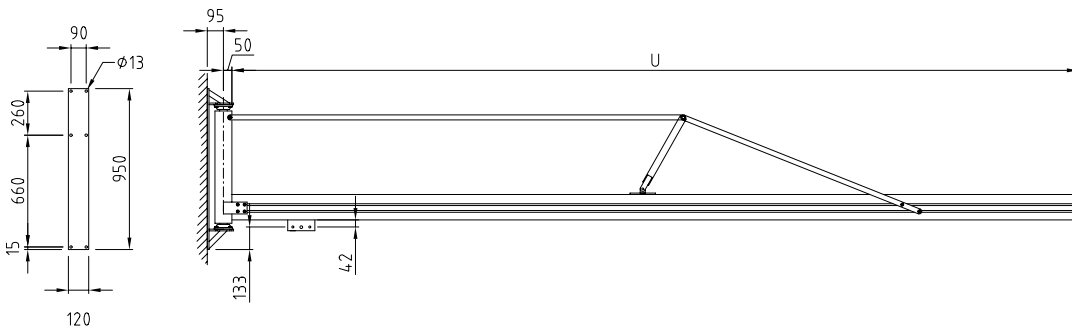
Jib U mm	1500	2000	2500	3000	3500	4000	1500-4000
	735100	735101	735102	735103	735104	735105	735108



AVS1 4000-5000 mm

Max load 125 kg

Jib U mm	4500	5000	4000-5000
	735106	735107	735109



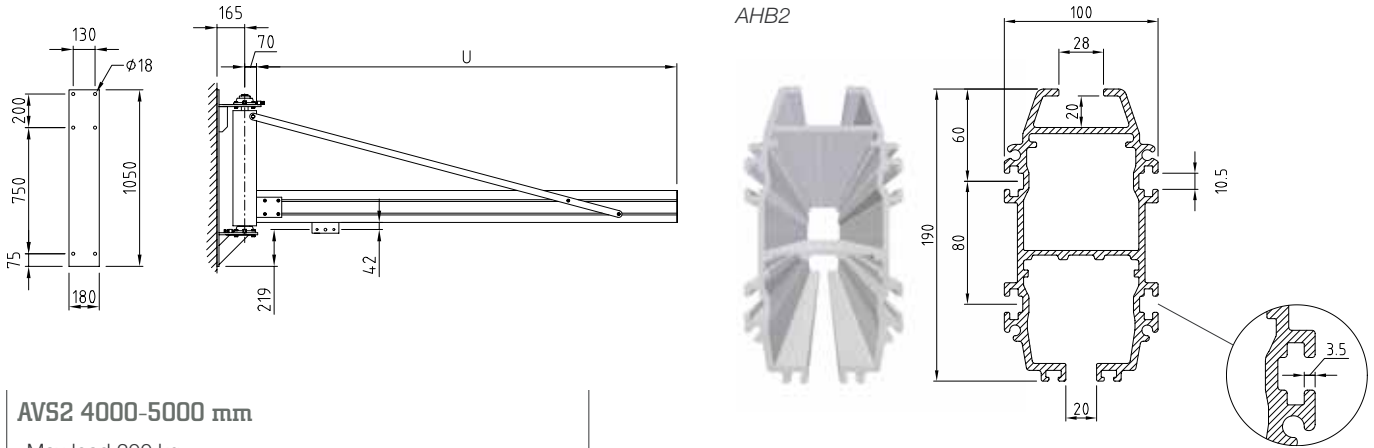
INFORMATION

Optional products page 10

AVS2 1500-4000 mm

Max load 250 kg

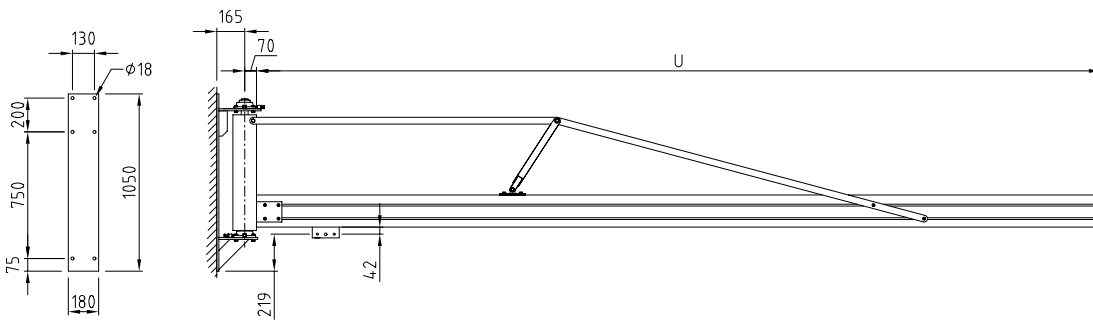
Jib U mm	1500	2000	2500	3000	3500	4000	1500-4000
	735200	735201	735202	735203	735204	735205	735208



AVS2 4000-5000 mm

Max load 200 kg

Jib U mm	4500	5000	4000-5000
	735206	735207	735209

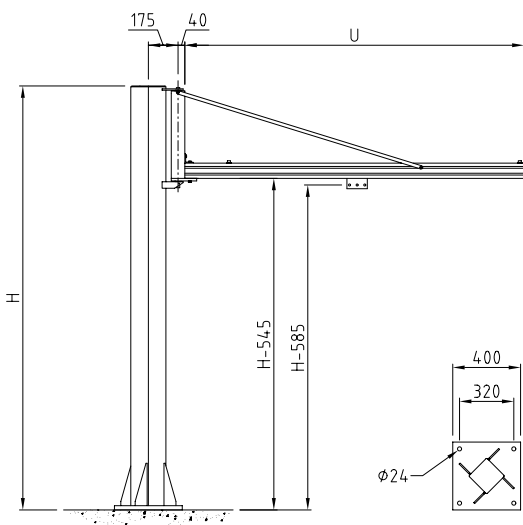


INFORMATION

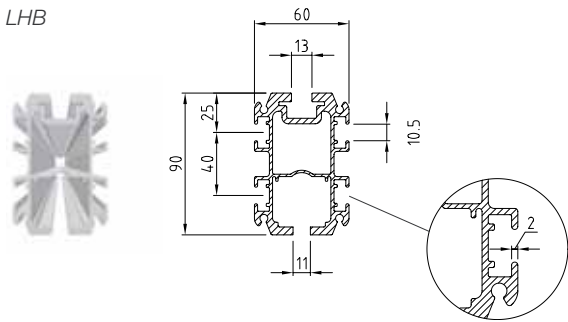
Optional products page 10

LPS 1500-4000 mm

Max load kg	80	80	80	80	80	50	1500-3500: 80 3500-4000: 50
Jib U mm	1500	2000	2500	3000	3500	4000	1500-4000
Height H mm							
2750	735010	735011	735012	735013	735014	735015	735019
3000	735020	735021	735022	735023	735024	735025	735029
3250	735030	735031	735032	735033	735034	735035	735039
3500	735040	735041	735042	735043	735044	735045	735049
3750	735050	735051	735052	735053	735054	735055	735059
4000	735060	735061	735062	735063	735064	735065	735069
4250	735070	735071	735072	735073	735074	735075	735079
4500	735080	735081	735082	735083	735084	735085	735089
<4500	735090	735091	735092	735093	735094	735095	735099



LHB



INFORMATION

Optional products page 10

APS1 1500-4000 mm

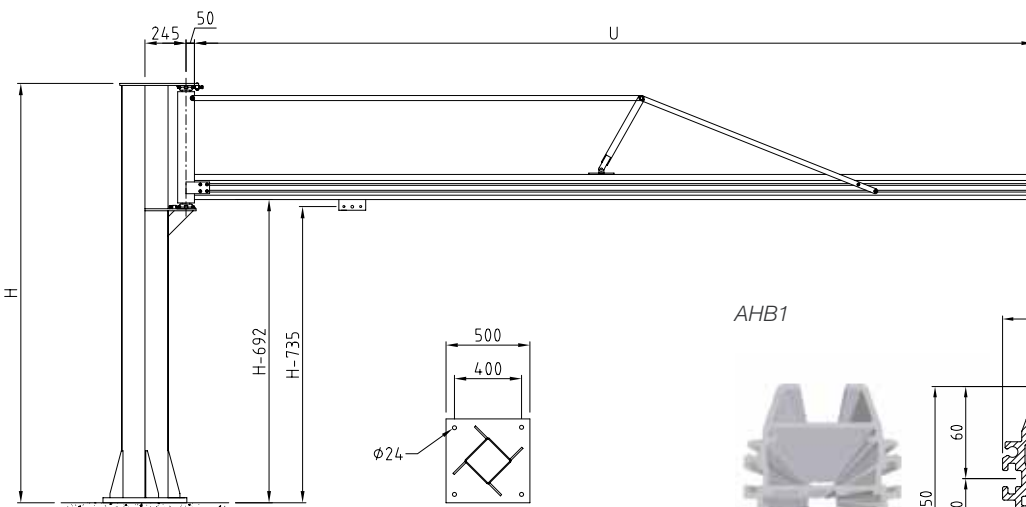
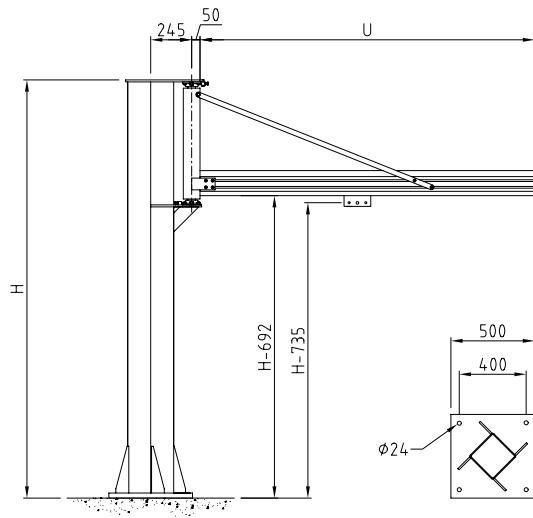
Max load 150 kg

Jib U mm	1500	2000	2500	3000	3500	4000	1500-4000
Height H mm							
2750	735110	735111	735112	735113	735114	735115	735118
3000	735120	735121	735122	735123	735124	735125	735128
3250	735130	735131	735132	735133	735134	735135	735138
3500	735140	735141	735142	735143	735144	735145	735148
3750	735150	735151	735152	735153	735154	735155	735158
4000	735160	735161	735162	735163	735164	735165	735168
4250	735170	735171	735172	735173	735174	735175	735178
4500	735180	735181	735182	735183	735184	735185	735188
<4500	735190	735191	735192	735193	735194	735195	735198

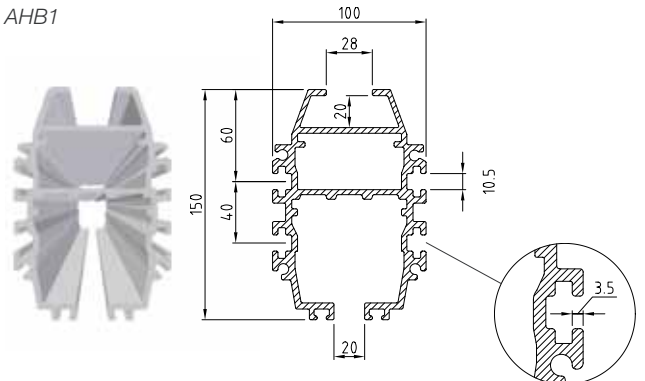
APS1 4000-5000 mm

Max load 125 kg

Jib U mm	4500	5000	4000-5000
Height H mm			
2750	735116	735117	735119
3000	735126	735127	735129
3250	735136	735137	735139
3500	735146	735147	735149
3750	735156	735157	735159
4000	735166	735167	735169
4250	735176	735177	735179
4500	735186	735187	735189
<4500	735196	735197	735199



AHB1



INFORMATION

Optional products page 10

APS2 1500-4000 mm

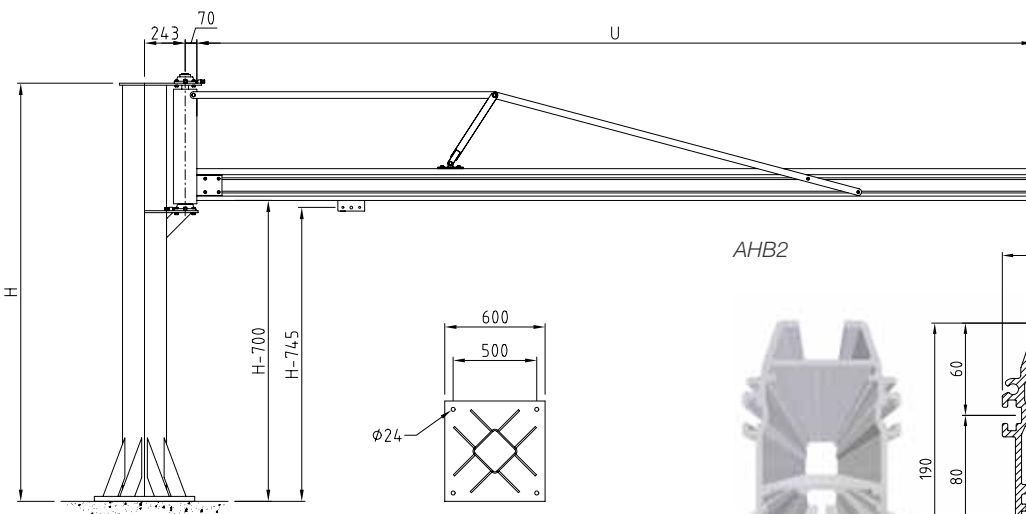
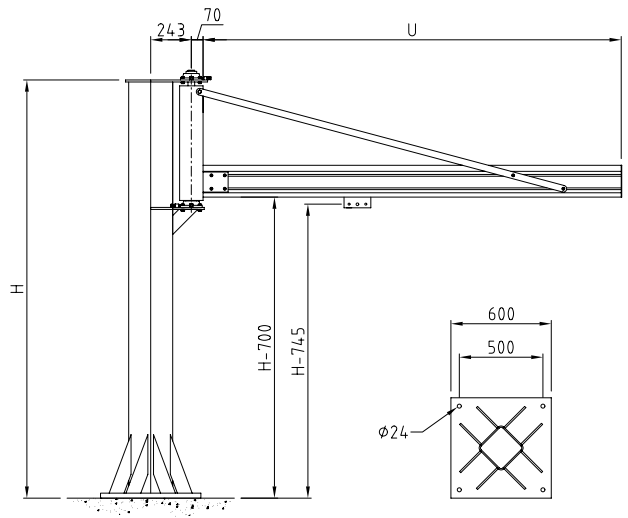
Max load 250 kg

Jib U mm	1500	2000	2500	3000	3500	4000	1500-4000
Height H mm							
2750	735210	735211	735212	735213	735214	735215	735218
3000	735220	735221	735222	735223	735224	735225	735228
3250	735230	735231	735232	735233	735234	735235	735238
3500	735240	735241	735242	735243	735244	735245	735248
3750	735250	735251	735252	735253	735254	735255	735258
4000	735260	735261	735262	735263	735264	735265	735268
4250	735270	735271	735272	735273	735274	735275	735278
4500	735280	735281	735282	735283	735284	735285	735288
<4500	735290	735291	735292	735293	735294	735295	735298

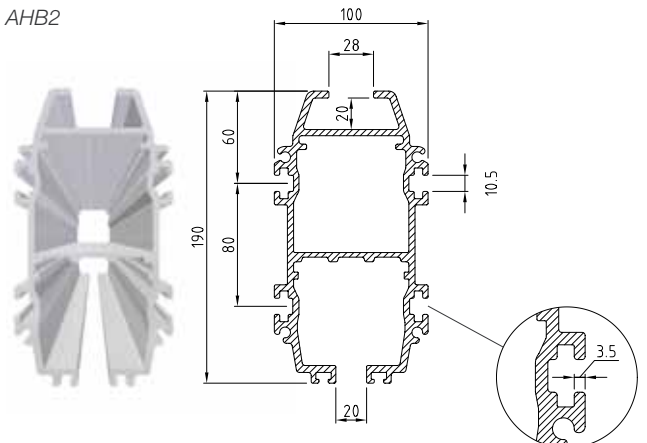
APS2 4000-5000 mm

Max load 200 kg

Jib U mm	4500	5000	4000-5000
Height H mm			
2750	735216	735217	735219
3000	735226	735227	735229
3250	735236	735237	735239
3500	735246	735247	735249
3750	735256	735257	735259
4000	735266	735267	735269
4250	735276	735277	735279
4500	735286	735287	735289
<4500	735296	735297	735299

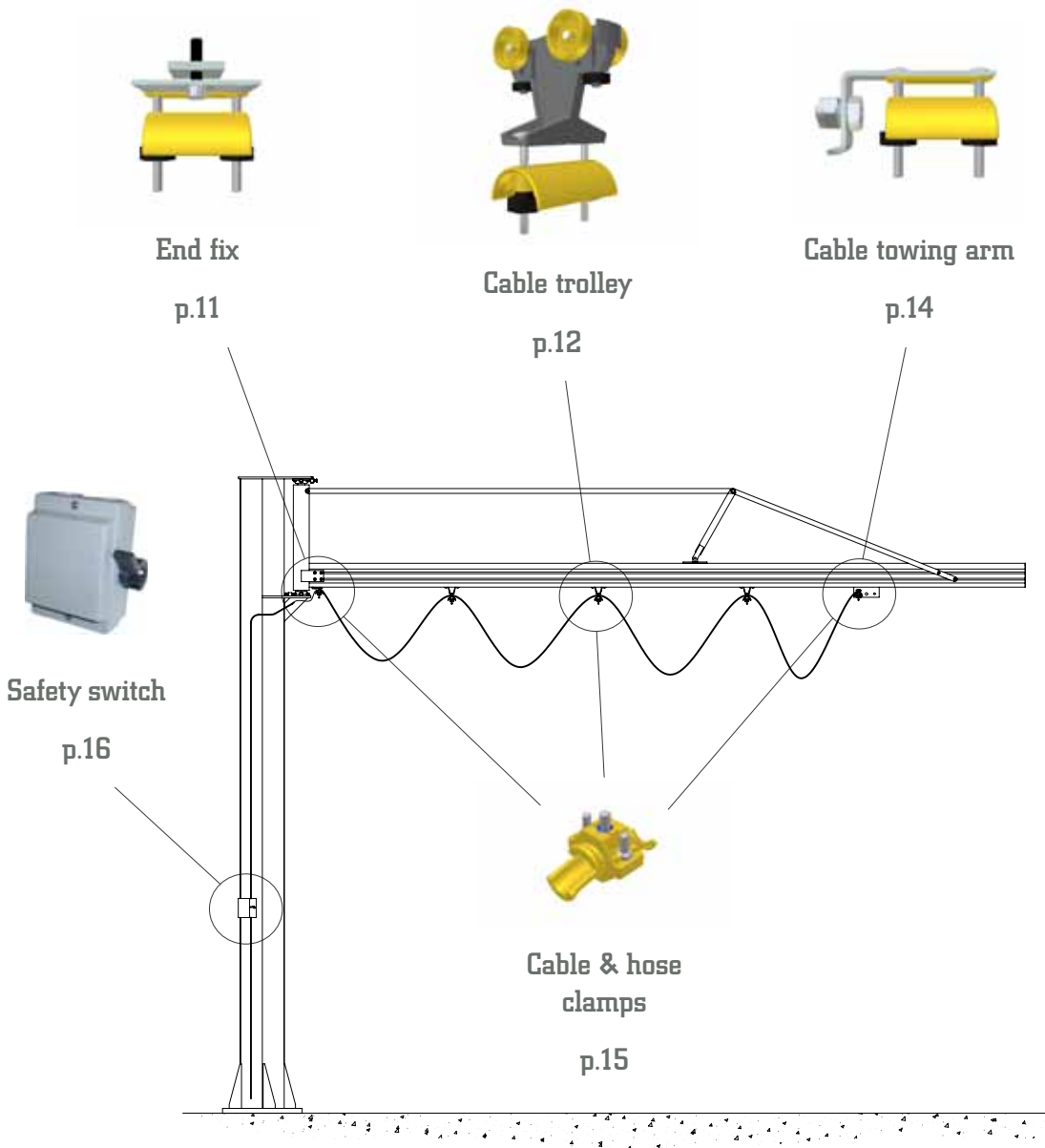


AHB2



INFORMATION

Optional products page 10

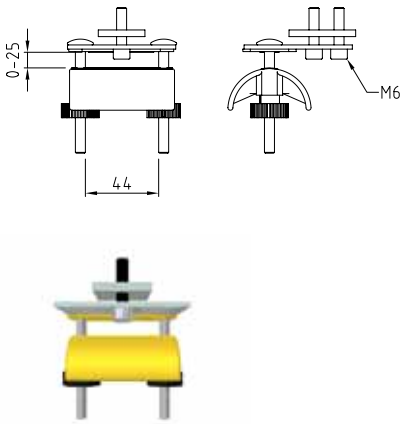


Recommended cable trolleys	
U mm	Quantity
1500-2500	1
3000-3500	2
4000-4500	3
5000	4

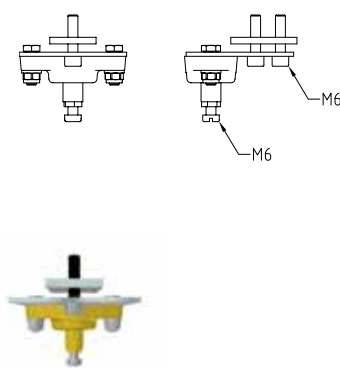
LHB			
Article	Type	Max load kg	Weight kg
730485	A	10	0,2
730491	B	10	0,15
730494	C	10	0,2

AHB			
Article	Type	Max load kg	Weight kg
730488	A	10	0,2
730492	B	10	0,15
730496	C	10	0,2

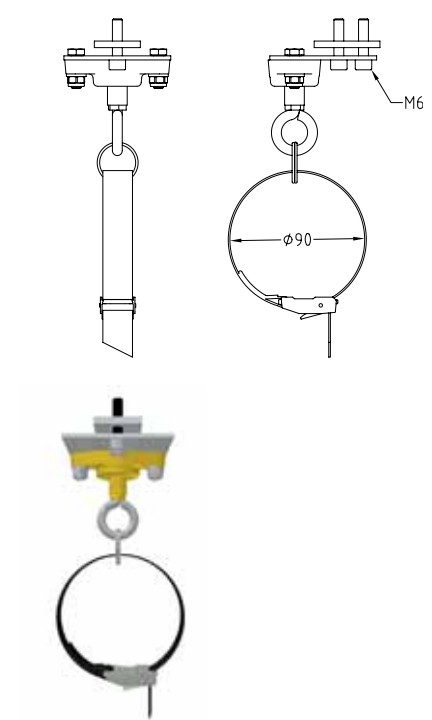
Type A



Type B



Type C



INFORMATION

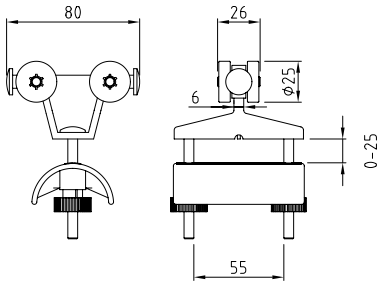
Type A= Saddle
 Type B= Ball joint, complete with cable/hose clamp type A, section *Cable & hose clamps*
 Type C= Strap

LHB			
Article	Type	Max load kg	Weight kg
730467	A	10	0.15
730469	B	10	0.15
730497	C	10	0.15
730468	D	10	0.15

AHB			
Article	Type	Max load kg	Weight kg
730470	A	10	0.15
730472	B	10	0.15
730498	C	10	0.15
730471	D	10	0.15
730478	E	10	0.1

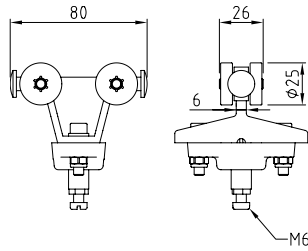
Type A

LHB
730467



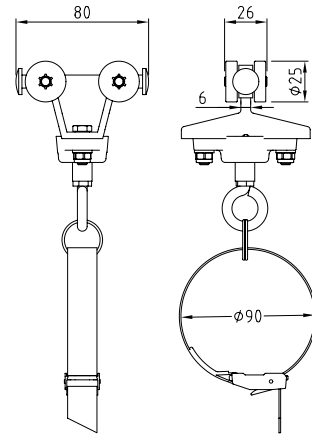
Type B

LHB
730469



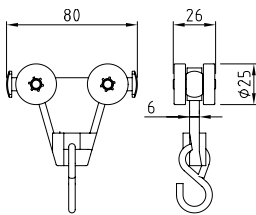
Type C

LHB
730497



Type D

LHB
730468



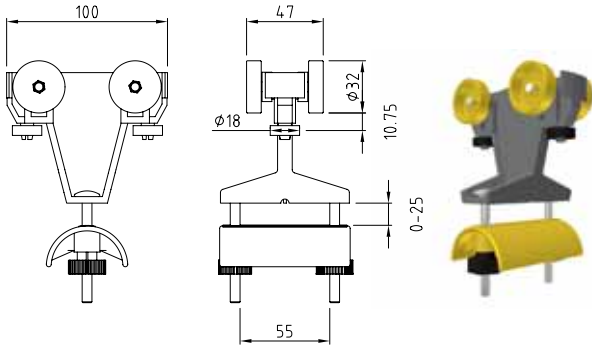
INFORMATION

- Type A= Saddle
- Type B= Ball joint, complete with cable/hose clamp type A, section *Cable & hose clamps*
- Type C= Strap
- Type D= Hook, complete with cable/hose clamp type B, section *Cable & hose clamps*
- Type E= Sleigh

Trolleys for LHB fits C-rails 30x32
Trolleys should be combined with supplementary travel limits to avoid damage.

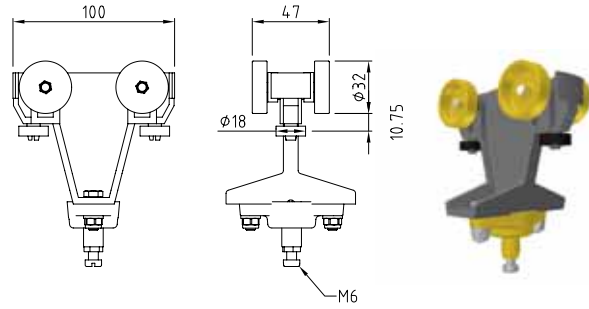
Type A

AHB
730470



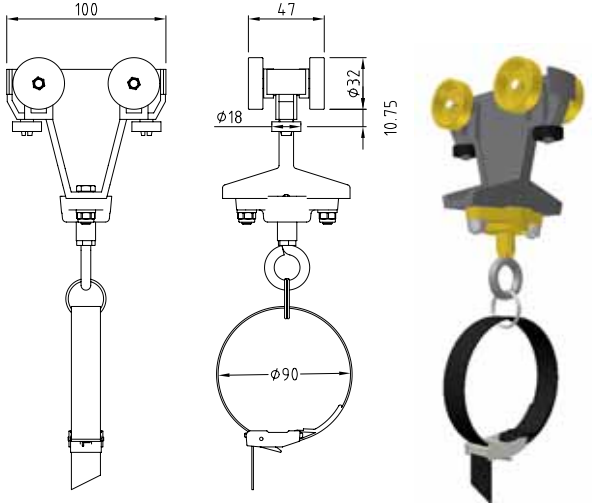
Type B

AHB
730472



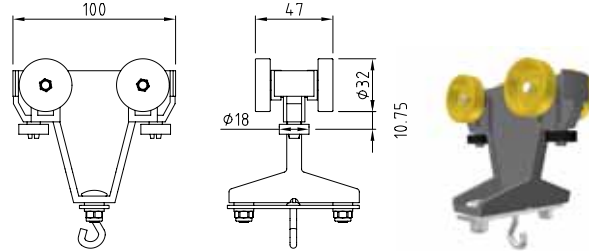
Type C

AHB
730498



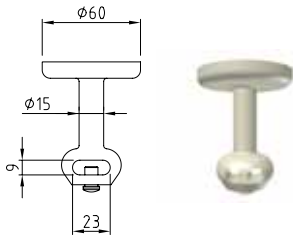
Type D

AHB
730471



Type E

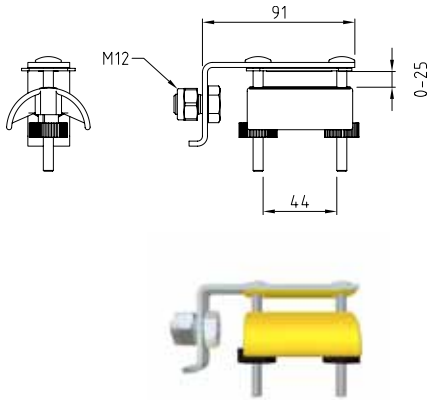
AHB
730478



LHB / AHB			
Article	Type	Max load kg	Weight kg
730482	A	10	0,2
730493	B	10	0,15
730495	C	10	0,2

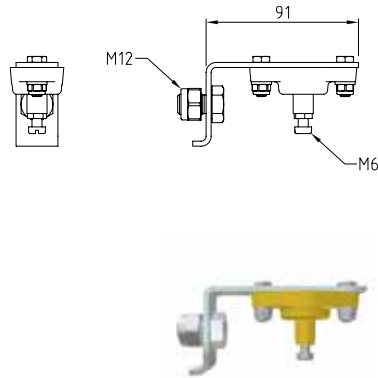
Type A

730482



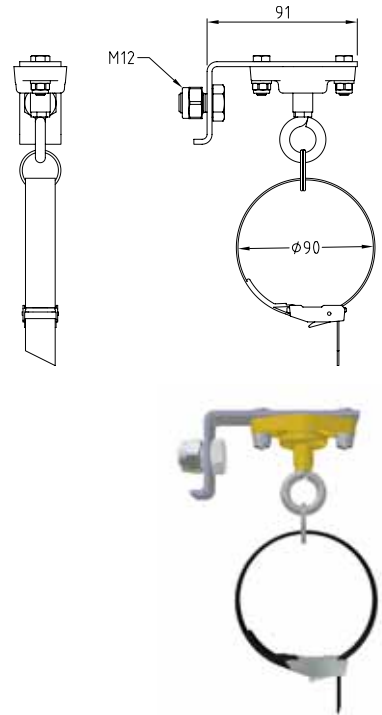
Type B

730493



Type C

730495



INFORMATION

Type A= Saddle
 Type B= Ball joint, complete with cable/hose clamp type A, section *Cable & hose clamps*
 Type C= Strap

LHB / AHB				
Article	Type	Max load kg	Weight kg	Ø mm
730473	A	10	0,05	10-16
730474	A	10	0,06	17-25
730475	A	10	0,1	26-36
734579	B	2	0,05	10
734580	B	2	0,05	11
734581	B	2	0,05	5*15

Type A

730473



730474



730475



Type B

734579



734580



734581



INFORMATION

Type A= Combine with end fix, strain relief or cable trolley with ball joint, review respective section
 Type B= Combine with cable trolley type D

When using different sizes of type A, place the largest one next to the trolley.

Article	Class
731530	IP54



INFORMATION

Lockable
Mounting screws and cable fitting are not included

Electrical installation may be performed only under the supervision of a qualified electrician.



Movomech AB

Box 9083
SE-291 09 Kristianstad
SWEDEN

Phone +46 (0)44 28 29 00
Fax +46 (0)44 28 29 28
E-mail info@movomech.com
Web www.movomech.com

Representatives

Sweden
Belgium
Denmark
Finland
France
Germany
Ireland
The Netherlands
Singapore
Spain
UK
USA